

THIN SMD LOW/MEDIUM-FREQUENCY CRYSTAL UNIT

MC-206

- High-density mounting-type SMD of max. 2.0mm thickness.
- Small packaging area and light weight.
- High heat resistance allows reflow soldering.
- Excellent shock resistance and environmental capability.
- Most suitable for small communications devices.



Actual size

Specifications (characteristics) <http://www.zhaoxiandz.com>

Item	Symbol	Specifications		Remarks
Nominal frequency	f	32.768 kHz	32.000 kHz to 100.000 kHz	
Temperature range	Storage temperature	T _{STG} -55°C to +125°C		
	Operating temperature	T _{OPR} -40°C to +85°C		
Maximum drive level	GL	1.0μW max.		
Soldering condition	T _{SOL}	Twice at under 260°C within 10 sec. or under 230°C within 3 min.		
Frequency tolerance (standard)	Δf/f	±20ppm, ±50ppm	±50ppm, ±100ppm	T _a =25°C, DL=0.1μW
Peak temperature (frequency)	θT	25°C ±5°C		
Temperature coefficient (frequency)	a	-0.04ppm/°C ² max.		
Load capacitance	C _L	6pF to ∞		Please specify
Series resistance	R ₁	55 kΩ max.	50 kΩ to 20 kΩ	As per below table
Motional capacitance	C ₁	1.8fF typ.	3.0fF max.	
Shunt capacitance	C ₀	0.9pF typ.	1.5pF max.	
Insulation resistance	IR	500 MΩ min.		
Aging	fa	±3ppm/year max.	±5ppm/year max.	T _a =25°C ±3°C, first year
Shock resistance	S.R.	±5ppm max.		Three drops on a hard board from 75 cm or excitation test with 3000G x 0.3ms x 1/2 sine wave x 3 directions

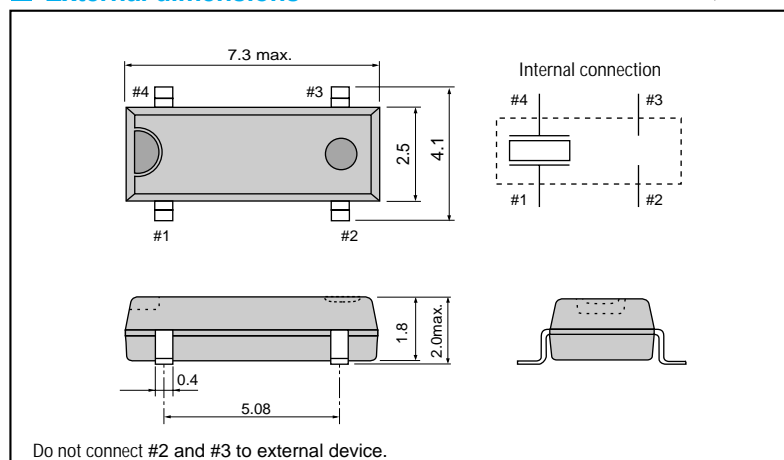
Metal may be exposed on the top of this product. This won't affect any quality, reliability or electrical spec.

Series resistance

Frequency (kHz)	32 ≤ f < 38	38 ≤ f < 65.536	65.536 ≤ f < 75	75 ≤ f ≤ 100
Series resistance (Ω)	50k Ω max.	40k Ω max.	25k Ω max.	20k Ω max.

External dimensions

(Unit: mm)



Recommended soldering pattern

(Unit: mm)

